



Larsen's® Valve Cabinets

Submittal and Detail Sheet

PROJECT: _____
 MODEL NUMBER: _____
 ARCHITECT: _____
 DATE: _____

LOCATION: _____
 QUANTITY: _____
 CONTRACTOR: _____
 DISTRIBUTOR: _____

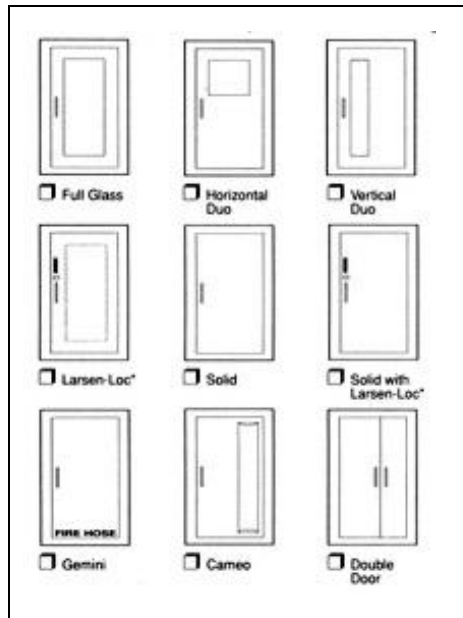
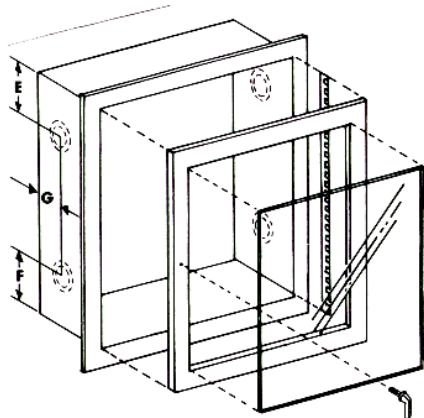
SPECIFICATIONS:

All recessed and semi-recessed cabinets and surface-mounted steel cabinets have a heavy gauge, white baked enamel box. Surface-mounted cabinets with aluminum door and trim have a box constructed entirely of clear or color anodized aluminum. Surface-mounted cabinets with stainless steel door and trim have a box constructed entirely of 304 stainless steel with a #4 finish.

Steel and stainless steel cabinets have a full 1/2" thick hollow metal heavy gauge door. Trims and doors feature one piece construction with satin finish turn handle, continuous matching hinge, and self-adjusting roller catch. Baked white enamel finish is standard for steel units. Stainless steel cabinets have a #4 finish, 304 stainless steel.

Aluminum cabinet doors and trims are extruded or fabricated aluminum with clear satin anodized finish. Aluminum door is 1/2" thick with satin finish matching pull handle and hinge. Color anodized finishes are available as options.

STEP 1: Select cabinet model number from the dimensions on the back of this sheet (or on attached sheet) and indicate on the top of this sheet. To specify aluminum trim and door, use the prefix, "AL" before the model number. To specify stainless steel trim and door, use the prefix, "SS" before the model number. **Note: Rough opening dimensions are larger for fire-rated cabinets. Please refer to separate Fire-Rated Cabinet Submittal and Detail Sheet.**



STEP 2: Select Door Style and Door Glazing (if applicable) below:

DOOR GLAZING:

- Clear Acrylic (Standard)
- Clear Tempered Safety Glass
- Clear Wire Glass
- Laminated Safety Glass
- Bronze Acrylic
- Gray Acrylic
- (Other) _____

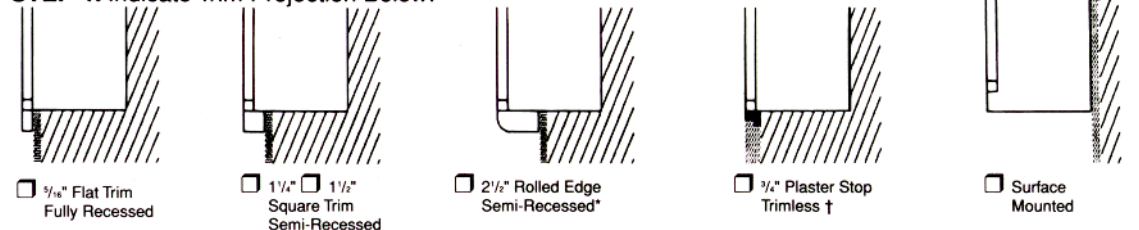
* Note: Solid Door with Larsen-Loc® can be specified as Institutional Door (access only with key) by deleting the pull handle and decal.

VC1818 Larsen-Loc Door is full glass

STEP 3: Indicate Trim and Door Material:

- Steel
- Aluminum (AL)
- Stainless (SS)
- Other (specify) _____

STEP 4: Indicate Trim Projection Below:



† Trimless cabinets must be installed before the drywall because their plaster stops must be behind the drywall. Trimless cabinets are not recommended for block wall installation.

LARSEN'S MANUFACTURING COMPANY - www.larsensmfg.com

7421 Commerce Lane N.E., Mpls, MN 55432 Phone: (763) 571-1181 FAX: (763) 571-6900

FLORIDA DIVISION: 3130 N.W. 17th Street, Ft. Lauderdale, FL 33311 Phone: (954) 486-3325 FAX: (954) 486-3352

©2004 Larsen's Mfg. Co.

CABINET DIMENSIONS - VALVE CABINETS

Model Number	Trim Style and Projection	Inside Box Dimensions* HxWxD	Outside Trim Dimensions HxW***	Rough Opening HxWxD	Knockout Locations** E G	Interior Capacity
VC___1818-R	Rec. 5/16	18 x 18 x 8	21½ x 21½	19 x 19 x 8¼	9" 4"	One 2½" Fire Dept. valve with cap And chain
VC___1818-RK	Semi-Rec. 1¼	18 x 18 x 8	21½ x 21½	19 x 19 x 7¼	9" 4"	
VC___1818-RL	Semi-Rec. 2½	18 x 18 x 8	21½ x 21½	19 x 19 x 6	9" 4"	
VC___1818-RT	Trimless	18 x 18 x 8	--	--x --x8½†	9" 4"	
VC___1818-SM	Surface Mtd.	21½ x 21½ x 8½	21½ x 21½	--	--	
Model Number	Trim Style and Projection	Inside Box Dimensions* HxWxD	Outside Trim Dimensions HxW***	Rough Opening HxWxD	Knockout Locations** E F G	Interior Capacity
VC___2430-R	Rec. 5/16	30 x 24 x 8	33½ x 27½	31 x 25 x 8¼	4" 4" 4"	Two Fire Dept. valves and a fire extinguisher or one hose rack unit with 75 ft. of rack hose
VC___2430-RK	Semi-Rec. 1¼	30 x 24 x 8	33½ x 27½	31 x 25 x 7¼	4" 4" 4"	
VC___2430-RL	Semi-Rec. 2½	30 x 24 x 8	33½ x 27½	31 x 25 x 6	4" 4" 4"	
VC___2430-RT	Trimless	30 x 24 x 8	--	--x --x8½†	4" 4" 4"	
VC___2430-SM	Surface Mtd.	33½ x 27½ x 8½	33½ x 27½	--	--	
Model Number	Trim Style and Projection	Inside Box Dimensions* HxWxD	Outside Trim Dimensions HxW***	Rough Opening HxWxD	Knockout Locations** E G	Interior Capacity
VC___1824-R	Rec. 5/16	24 x 18 x 8	27½ x 21½	25 x 19 x 8¼	4" 4"	One 1½" Fire dept. valve with cap and chain, one 2-1/2" fire dept. valve with cap and chain and one fire extinguisher.
VC___1824-RK	Semi-Rec. 1¼	24 x 18 x 8	27½ x 21½	25 x 19 x 7¼	4" 4"	
VC___1824-RL	Semi-Rec. 2½	24 x 18 x 8	27½ x 21½	25 x 19 x 6	4" 4"	
VC___1824-RT	Trimless	24 x 18 x 8	--	--x --x 8½†	4" 4"	
VC___1824-SM	Surface Mtd.	27½ x 21½ x 8½	27½ x 21½	--	--	
Model Number	Trim Style and Projection	Inside Box Dimensions* HxWxD	Outside Trim Dimensions HxW***	Rough Opening HxWxD	Knockout Locations** E G	Interior Capacity
VC___2626-R	Rec. 5/16	26 x 26 x 8	29½ x 29½	27 x 27 x 8¼	13" 4"	One 2½" Fire Dept. valve with cap and chain
VC___2626-RK	Semi-Rec. 1¼	26 x 26 x 8	29½ x 29½	27 x 27 x 7¼	13" 4"	
VC___2626-RL	Semi-Rec. 2½	26 x 26 x 8	29½ x 29½	27 x 27 x 6	13" 4"	
VC___2626-RT	Trimless	26 x 26 x 8	--	--x --x 8½†	13" 4"	
VC___2626-SM	Surface Mtd.	29½ x 29½ x 8½	29½ x 29½	--	--	
Model Number	Trim Style and Projection	Inside Box Dimensions* HxWxD	Outside Trim Dimensions HxW***	Rough Opening HxWxD	Knockout Locations** F G	Interior Capacity
VC___4016-R	Rec. 5/16	40 x 16 x 8	43½ x 19½	41 x 17 x 8¼	6" 4"	One 2½" Fire Dept valve with cap and chain and a Fire Extinguisher
VC___4016-RK	Semi-Rec. 1¼	40 x 16 x 8	43½ x 19½	41 x 17 x 7¼	6" 4"	
VC___4016-RL	Semi-Rec. 2½	40 x 16 x 8	43½ x 19½	41 x 17 x 6	6" 4"	
VC___4016-RT	Trimless	40 x 16 x 8	--	--x --x 8½†	6" 4"	
VC___4016-SM	Surface Mtd.	43½ x 19½ x 8½	43½ x 19½	--	--	
Model Number	Trim Style and Projection	Inside Box Dimensions* HxWxD	Outside Trim Dimensions HxW	Rough Opening HxWxD	Knockout Locations** F G	Interior Capacity
VC___3616-R	Rec. 5/16	36x 16 x 8	39½ x 19½	37 x 17 x 8¼	6" 4"	One 2½" Fire Dept valve with cap and chain and one of the following Fire Ext. MP2½,MP5, DC2½, DC5,MP6,MP10,DC6, DC10, CD5
VC___3616-RK	Semi-Rec. 1¼	36x 16 x 8	39½ x 19½	37 x 17 x 7¼	6" 4"	
VC___3616-RL	Semi-Rec. 2½	36x 16 x 8	39½ x 19½	37 x 17 x 6	6" 4"	
VC___3616-RT	Trimless	36x 16 x 8	--	--x --x 8½†	6" 4"	
VC___3616-SM	Surface Mtd.	39½ x 19½ x 8½	39½ x 19½	--	--	

***FOR MODEL NUMBERS VC4016 and VC3616:**

If the shelf is to be deleted with the valve installed at the top, insert the prefix "T" before "VC" and note the "E" knockout location of 6".

ROUGH OPENINGS ARE LARGER FOR FIRE-RATED CABINETS. PLEASE REFER TO FIRE-RATED CABINET SUBMITTAL AND DETAIL SHEET.

** No knockouts are provided for surface mounted cabinets unless specified. See knockout drawing on reverse side.

† Trimless cabinets must be installed before the drywall - plaster stop must be behind the drywall. Trimless are not recommended for block wall installation.

*** Deduct 3/4" from HxW Dimensions for Cabinets with Aluminum Door & Trim.

LARSEN'S MANUFACTURING COMPANY 7421 Commerce Lane N.E., Mpls, MN 55432
www.larsensmfg.com Phone: (763) 571-1181 FAX: (763) 571-6900
FLORIDA DIVISION: 3130 N.W. 17th Street, Ft. Lauderdale, FL 33311 Phone: (954) 486-3325 FAX: (954) 486-3352

©2004 Larsen's Mfg. Co.